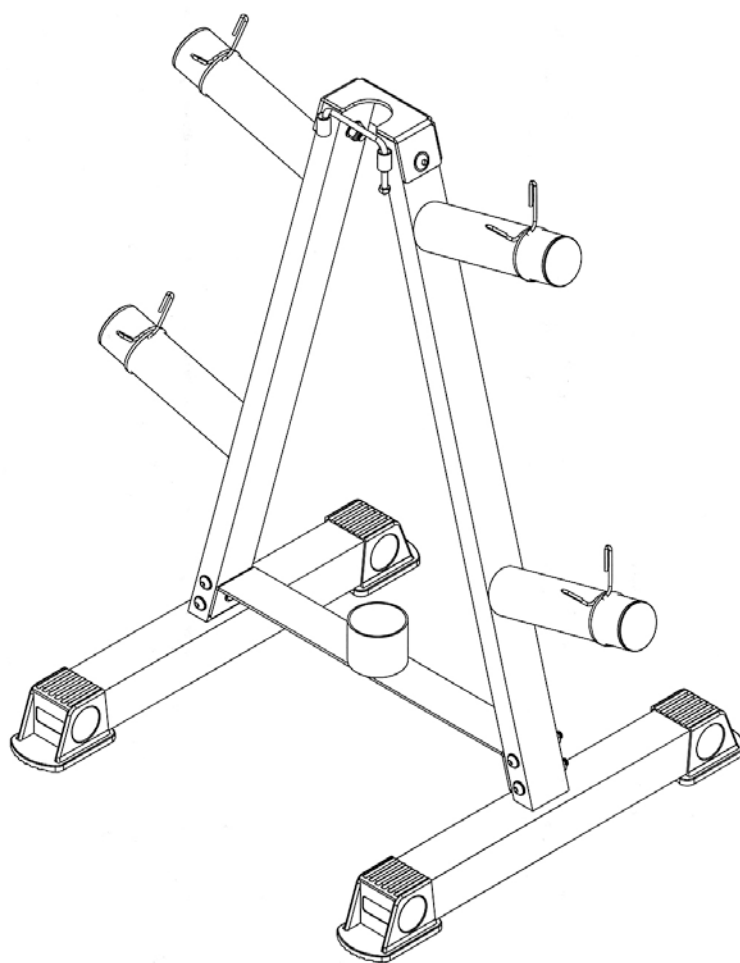


MARCY[®]

OLYMPIC PLATE TREE

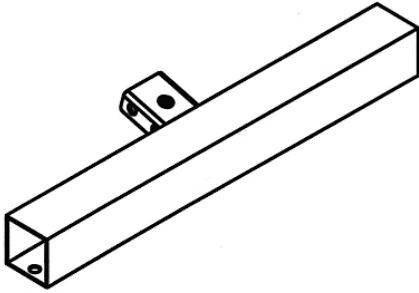
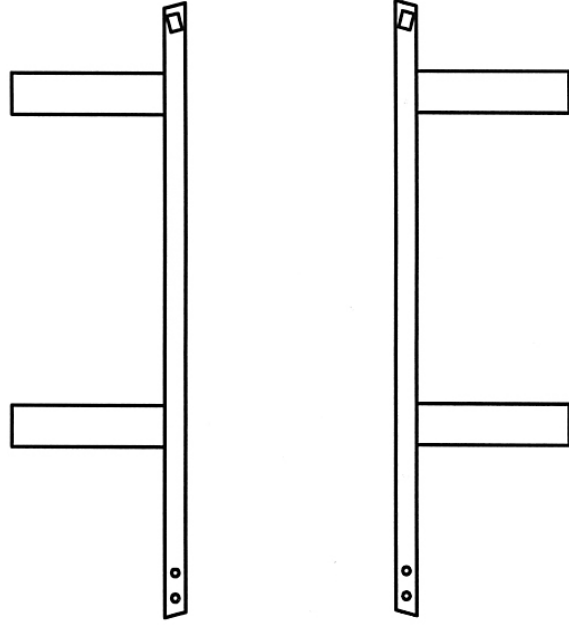
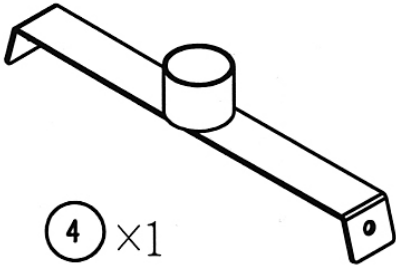
SAG-44.1



IMPORTANT: Please read the Important Safety Notice and Assembly Information in the Owner's manual before assembling this product.

Assembly Manual

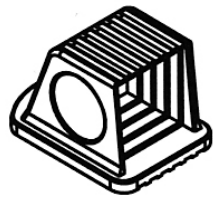
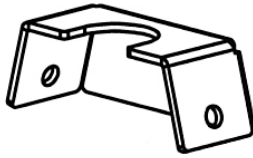
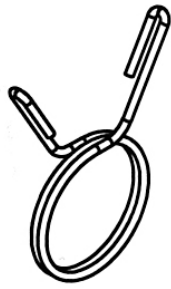
130617



① × 2

② × 1

③ × 1

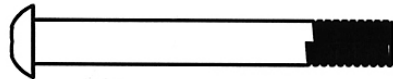


⑥ × 1

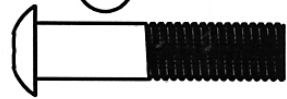
⑨ × 4

⑤ × 1

⑦ × 4



10 X4



11 X2



12 X2



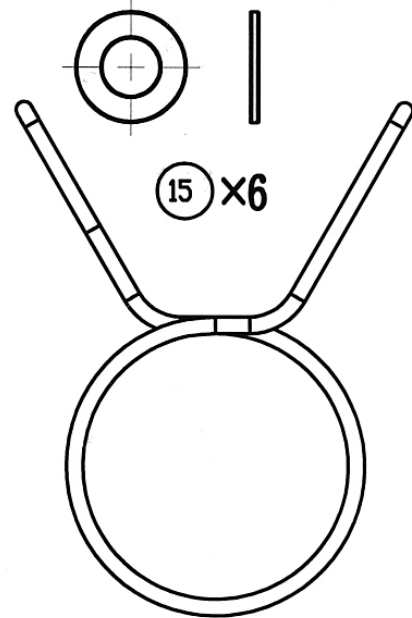
13 X2



16 X4



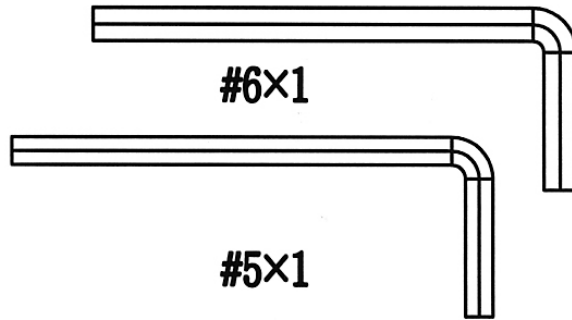
14 X1



15 X6



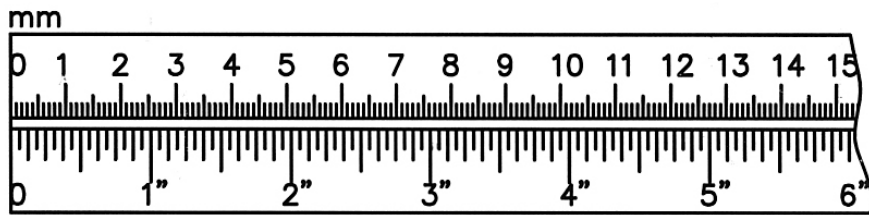
17 X8

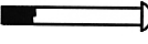


#6 X1

#5 X1

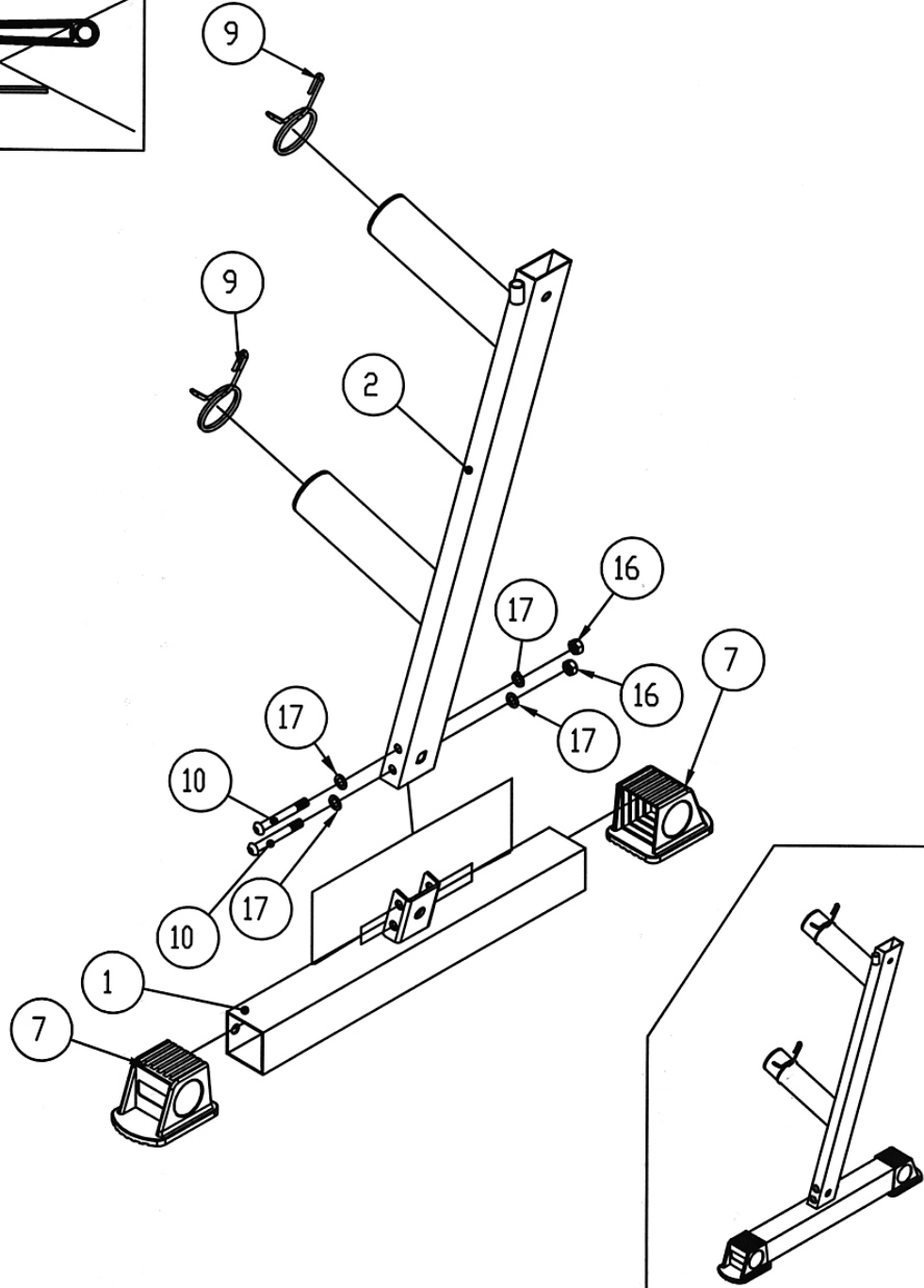
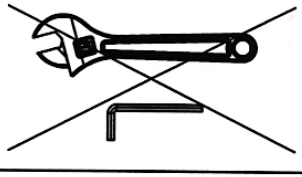
9 X4



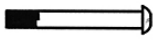


⑩  ×2 M8×2 1/2"

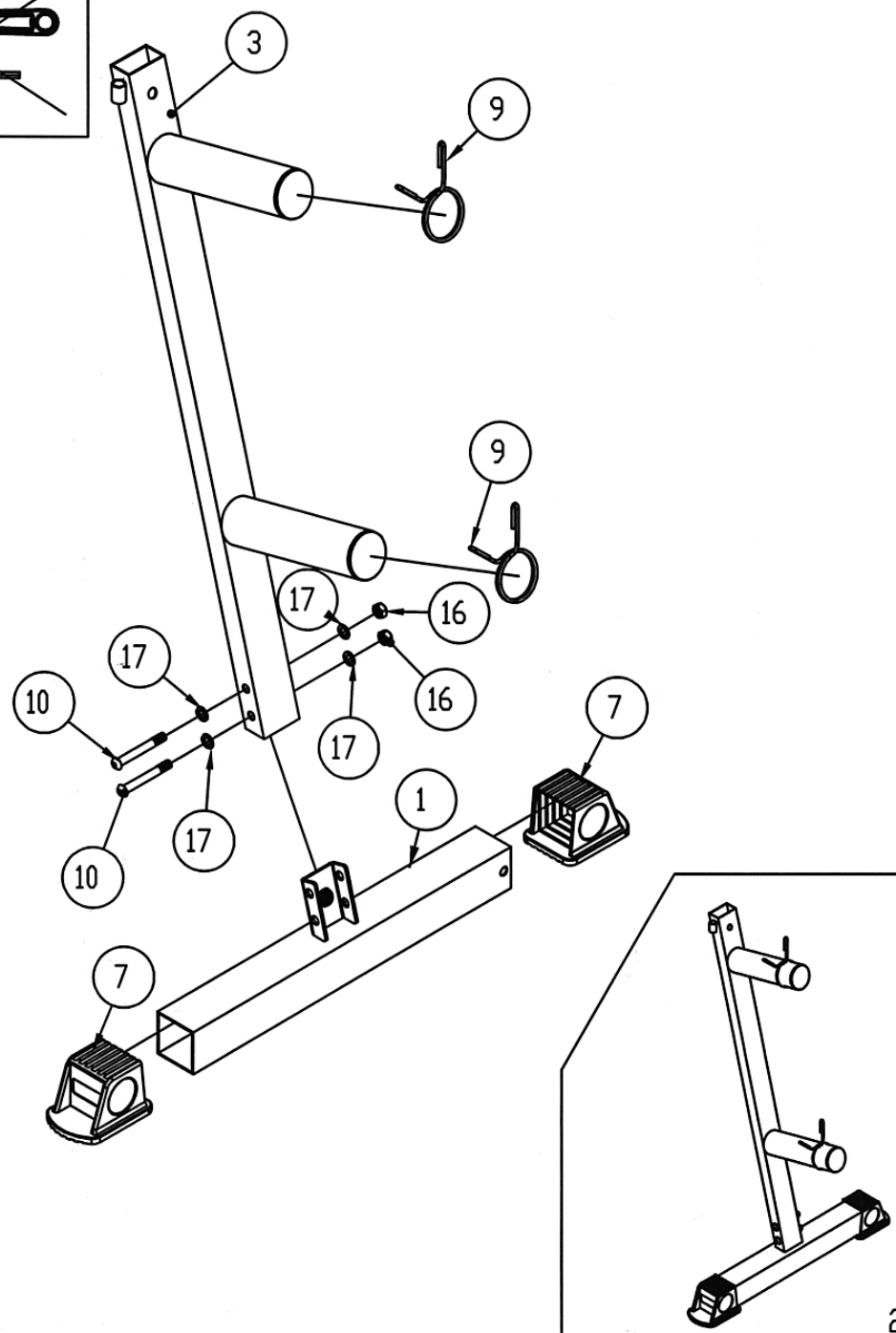
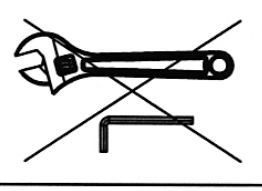
⑯  ×2 M8

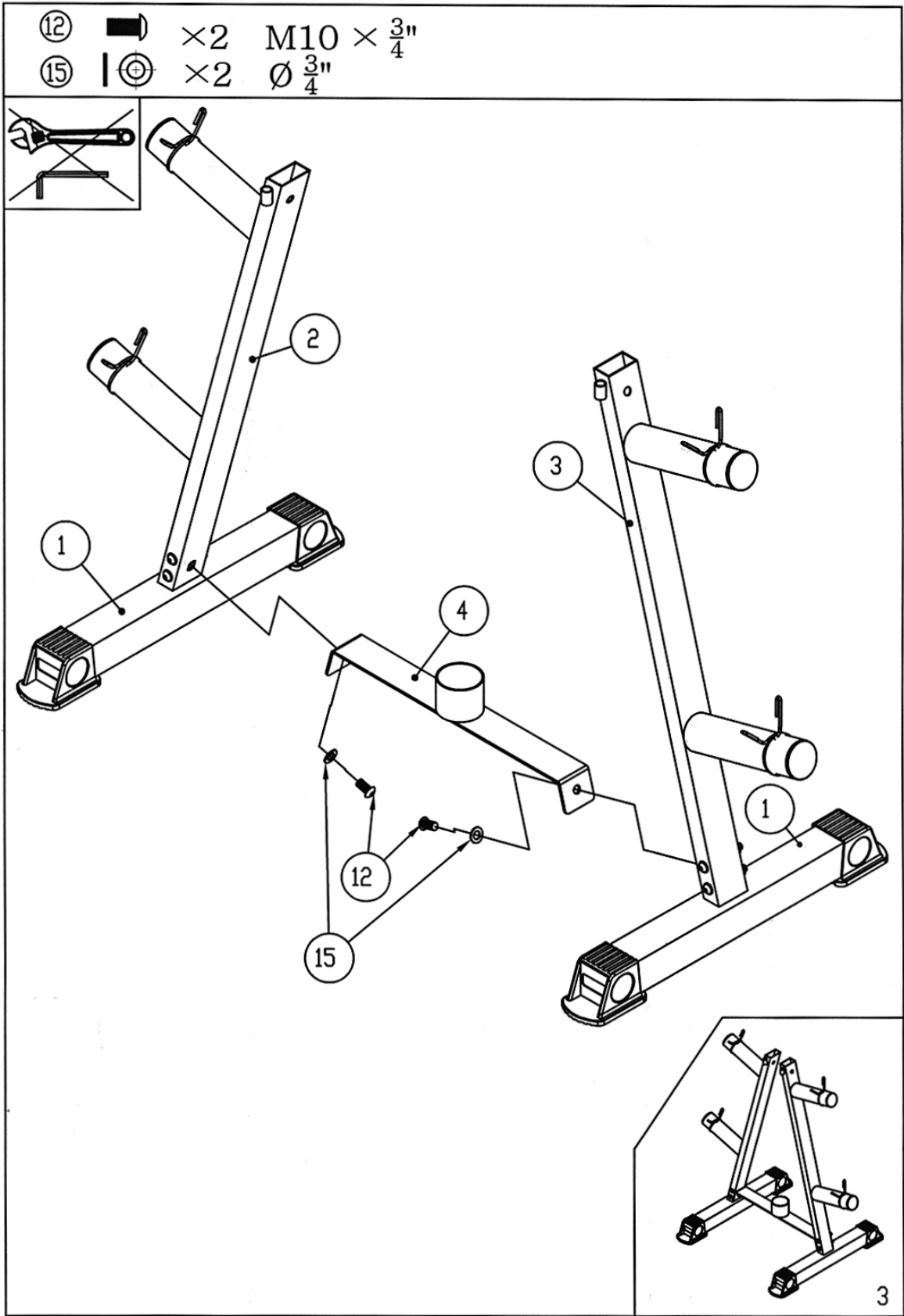
⑰  ×4 Ø 5/8"







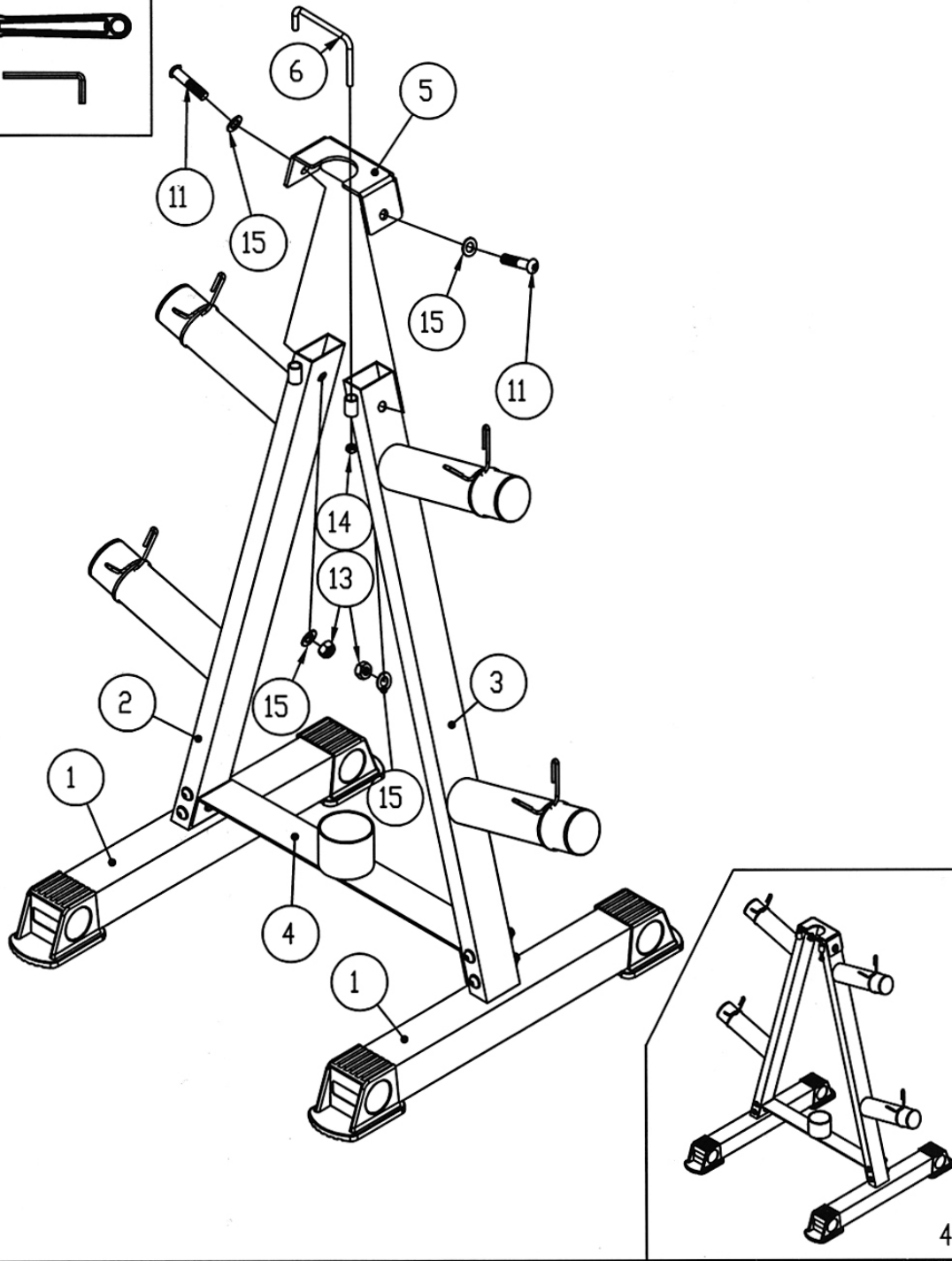
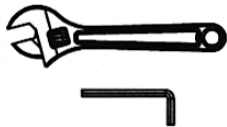
1

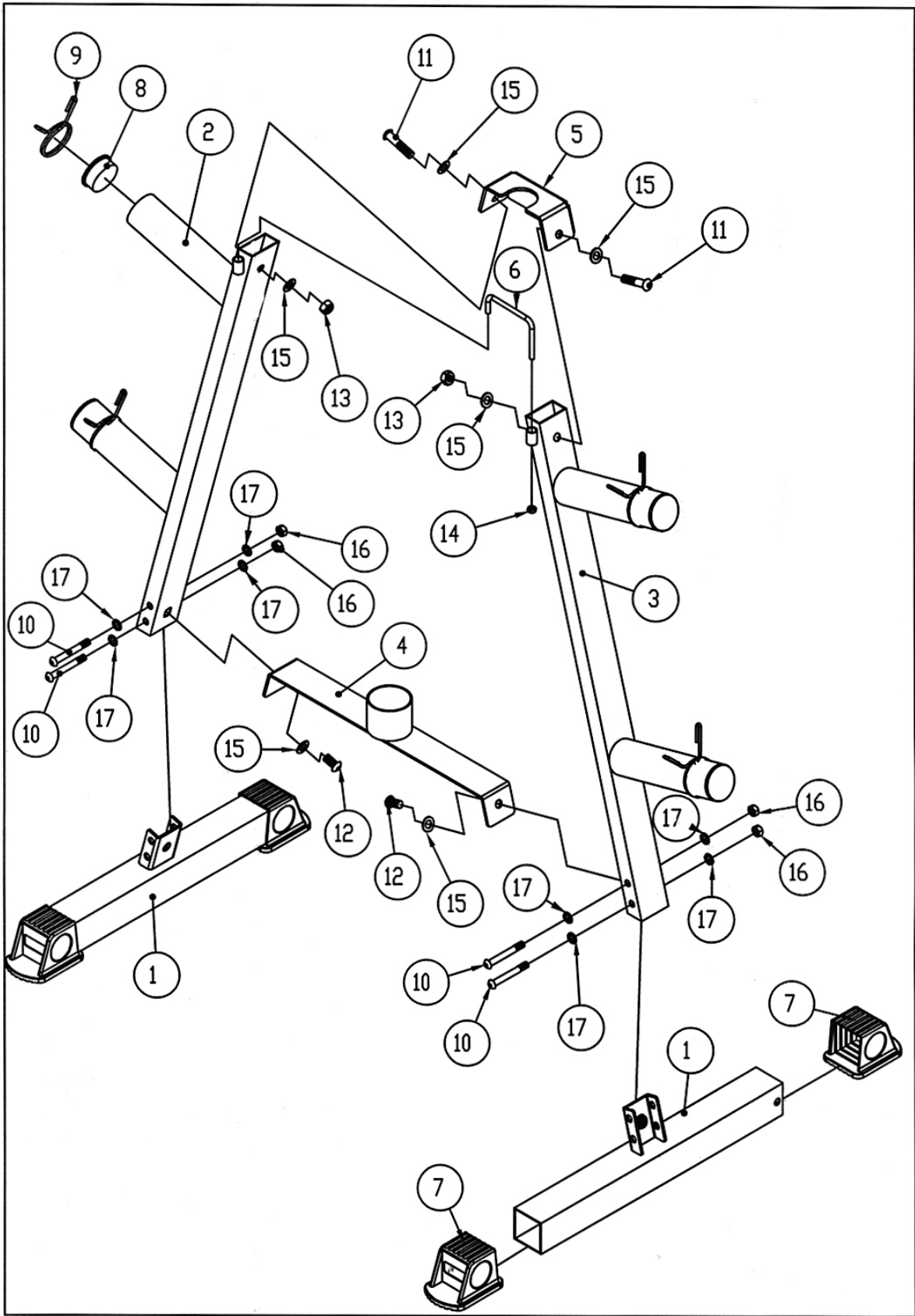
- ⑩  ×2 M8×2 1/2"
- ⑯  ×2 M8
- ⑰  ×4 Ø 5/8"





- | | | | |
|---|---|----|-----------------------|
| ⑪ |  | ×2 | M10×1 $\frac{3}{4}$ " |
| ⑬ |  | ×2 | M10 |
| ⑭ |  | ×1 | M6 |
| ⑮ |  | ×4 | Ø $\frac{3}{4}$ " |





IMPEX® INC.

2801 S. TOWNE AVE. POMONA, CA 91766

Tel: (800) 999-8899 Fax: (626) 961-9966

www.impex-fitness.com

info@impex-fitness.com